

JET

**JPSG-
1020A-1224A**

**Плоскошлифовальный
станок по металлу**

414520...380/50/3

414524...380/50/3

Список деталей

WMH Tool Group AG

Bahnstrasse 24,

CH – 8603 Schwerzenbach

www.wmhtoolgroup.ch

info@wmhtoolgroup.ch

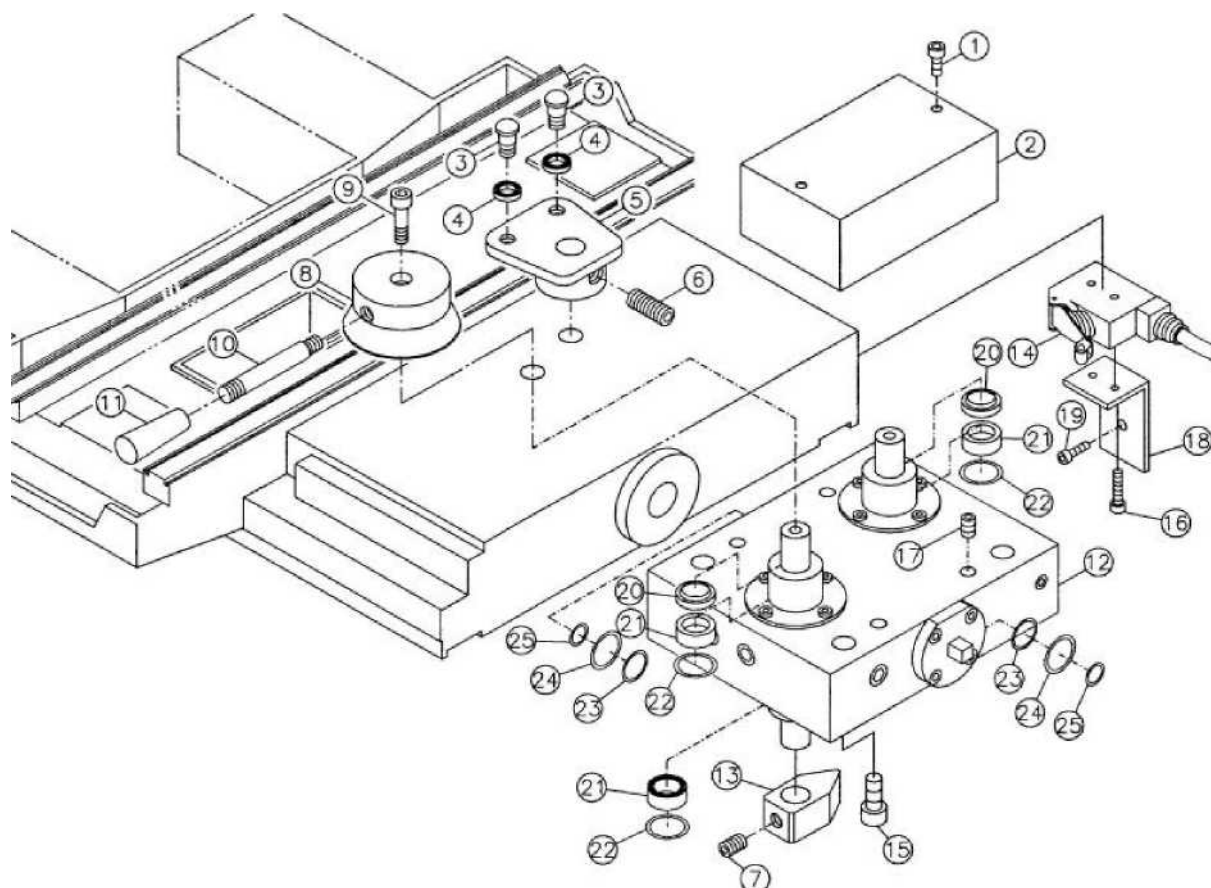
Tel +41 (0)44 806 47 48

Fax +41 (0) 44 806 47 58

P-414520 / 41452...8/07



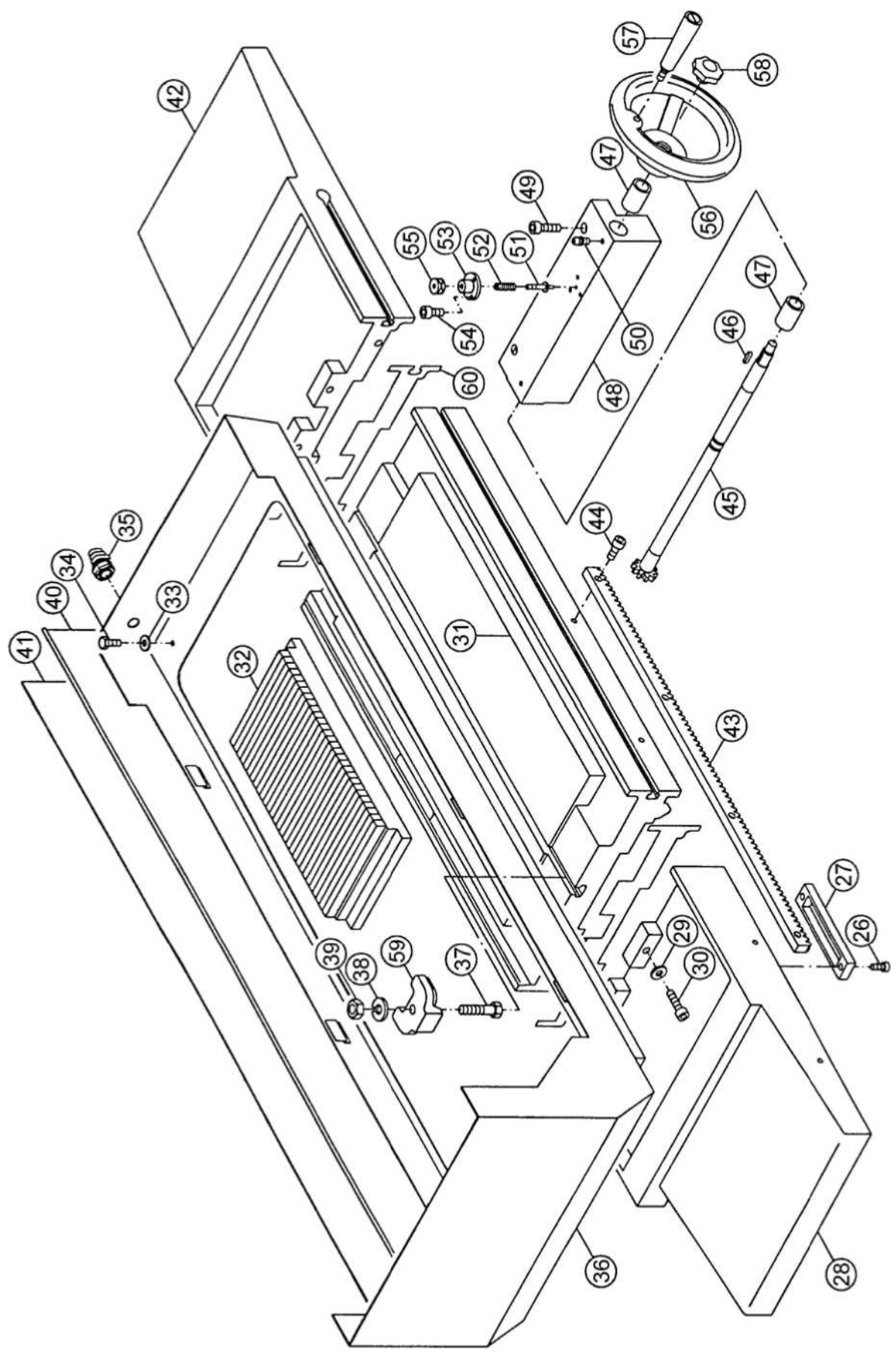
Монтажная схема: салазки в сборе



Список деталей: салазки в сборе

№	№ детали	обозначение	размер	кол-во
1	TS-1502101	Hex Socket Cap Screw	M5x45	2
2	K4031000	Cover		1
3	K4030401	Bearing-Bolt		2
4	BB-609ZZ	Ball Bearing		2
5	K4030504	Control Block		1
6	TS-1525011	Set Screw	M10x8	1
7	1020A-7	Set Screw	M8x6	1
8	K4031103	Control Knob		1
9	1020A-9	Hex Socket Cap Screw	1/4"-20NF	1
10	K4031206	Handle		1
11	1020A-11	Knob		1
12	A3032504	Hydraulic Valve		1
13	K4031309	Shifting Block		1
14	SHL-W255	Limit Switch		1
15	TS-1504121	Hex Socket Cap Screw	M8x60	4
16	TS-1501071	Hex Socket Cap Screw	M4x25	2
17	1020A-17	Set Screw	1/4"-20NF	4
18	K4053707	Bracket		1
19	TS-1503031	Hex Socket Cap Screw	M6x12	1
20	1020A-20	Dust Oil Seal		1
21	1020A-21	Oil Proof-Oil Seal		1
22	1020A-22	O-Ring	P28	3
23	1020A-23	O-Ring	P21	2
24	1020A-24	O-Ring	P24	2
25	1020A-25	O-Ring	P8	2

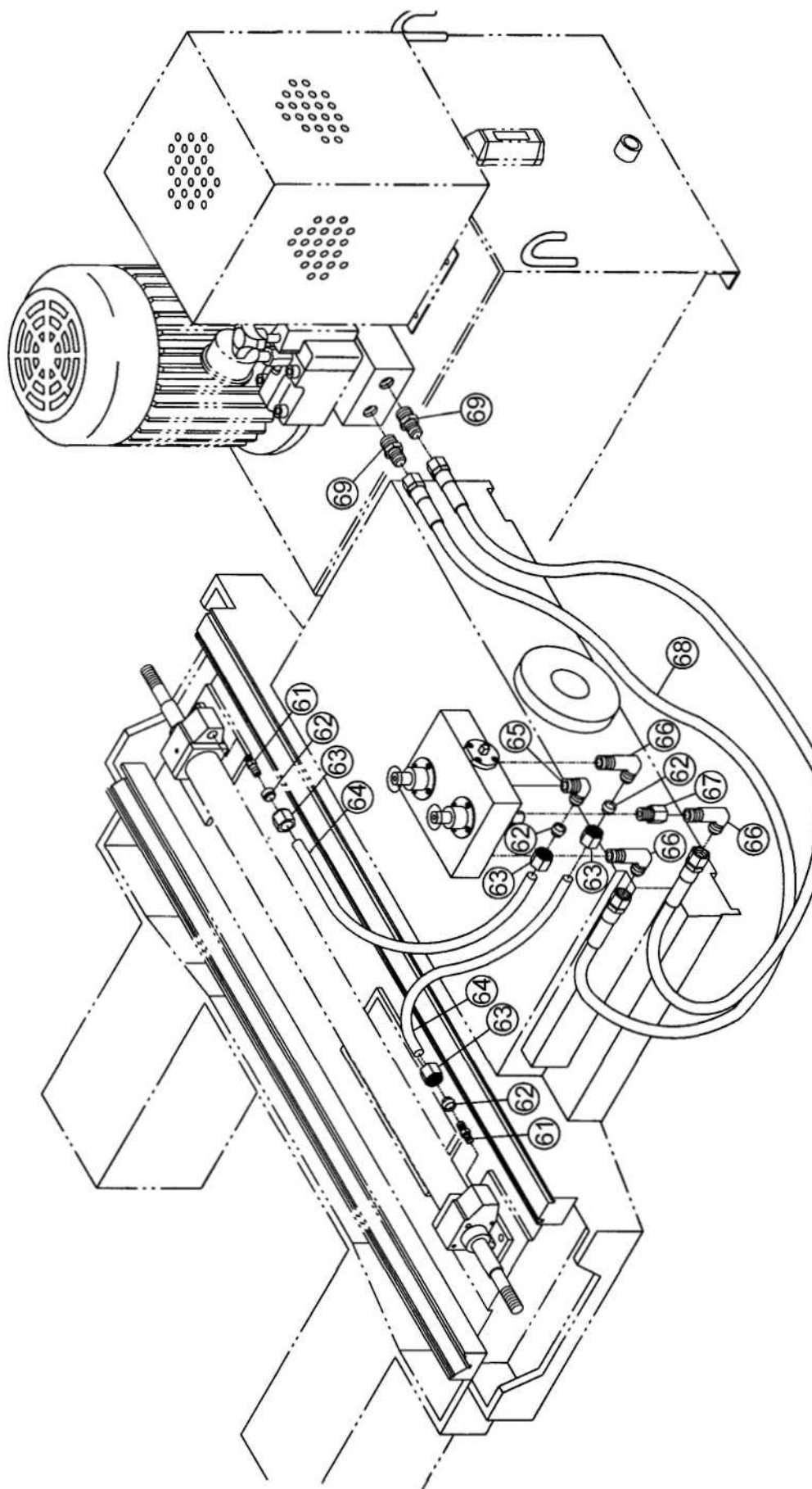
Монтажная схема: подающий механизм для горизонтального перемещения



Список деталей: подающий механизм для горизонтального перемещения

№	№ детали	обозначение	размер	кол-во
26	TS-1502031	Hex Socket Cap Screw	M5x12	2
27	K4060505	Draining Plate		1
28	K3060400	Table Bracket (1020A)L		1
	K4060402	Table Bracket (1224A)L		1
29	TS-1550071	Washer	M10	8
30	TS-1505061	Hex Socket Cap Screw	M10x40	8
31	K3060101	Table (1020A)		1
	K4060103	Table (1224A)		1
32	1020A-32	Magnetic Chuck	200x500	1
	1224A-32	Magnetic Chuck	300x600	1
33	TS-1550041	Washer	M6	4
34	1020A-34	Screw	M6x10	4
35	1020A-35	Plastic Connector	M22	1
36	K3060204	Splash Guard (1020A)		2
	K4060206	Splash Guard (1224A)		2
37	K4060608	T-Bolt		2
38	TS-1551081	Lock Washer	M12	2
39	1020A-39	Nut	1/2"-12NC	1
40	K3060802	Rear Splash Guard (1020A)		1
	K4060804	Rear Splash Guard (1224A)		1
41	K3060709	Front Splash Guard (1020A)R		1
	K4060701	Front Splash Guard (1224A)R		1
42	K3060307	Table Bracket (1020A)R		1
	K4060309	Table Bracket (1224A)R		1
43	K3060905	Rack(1020A)		1
	K4060907	Rack(1224A)		1
44	TS-1503041	Hex Socket Cap Screw	M6x16	1
45	K3061102	Gear Shaft (1020A)		1
	K4061104	Gear Shaft (1224A)		1
46	1020A-46	Key	5x5x20	1
47	K4061001	Brass Sleeve		2
48	K3061308	Fixed Seat (1020A)		1
	K4061300	Fixed Seat (1224A)		1
49	TS-1504061	Hex Socket Cap Screw	M8x30	2
50	1020A-50	Oil Cup	1/4"	2
51	K4061403	Adjusting Shaft		1
52	K4061207	Spring		1
53	K4061506	Cover		1
54	TS-1502021	Hex Socket Cap Screw	M5x10	3
55	K4061609	Adjusting Wheel		1
56	K4062301	Wheel		1
57	K2076205	Handle		1
58	K4062404	Knob		1
59	T4060103	Clamping Block		2
60	1020A-60	Asbestos Gasket	T-1	2

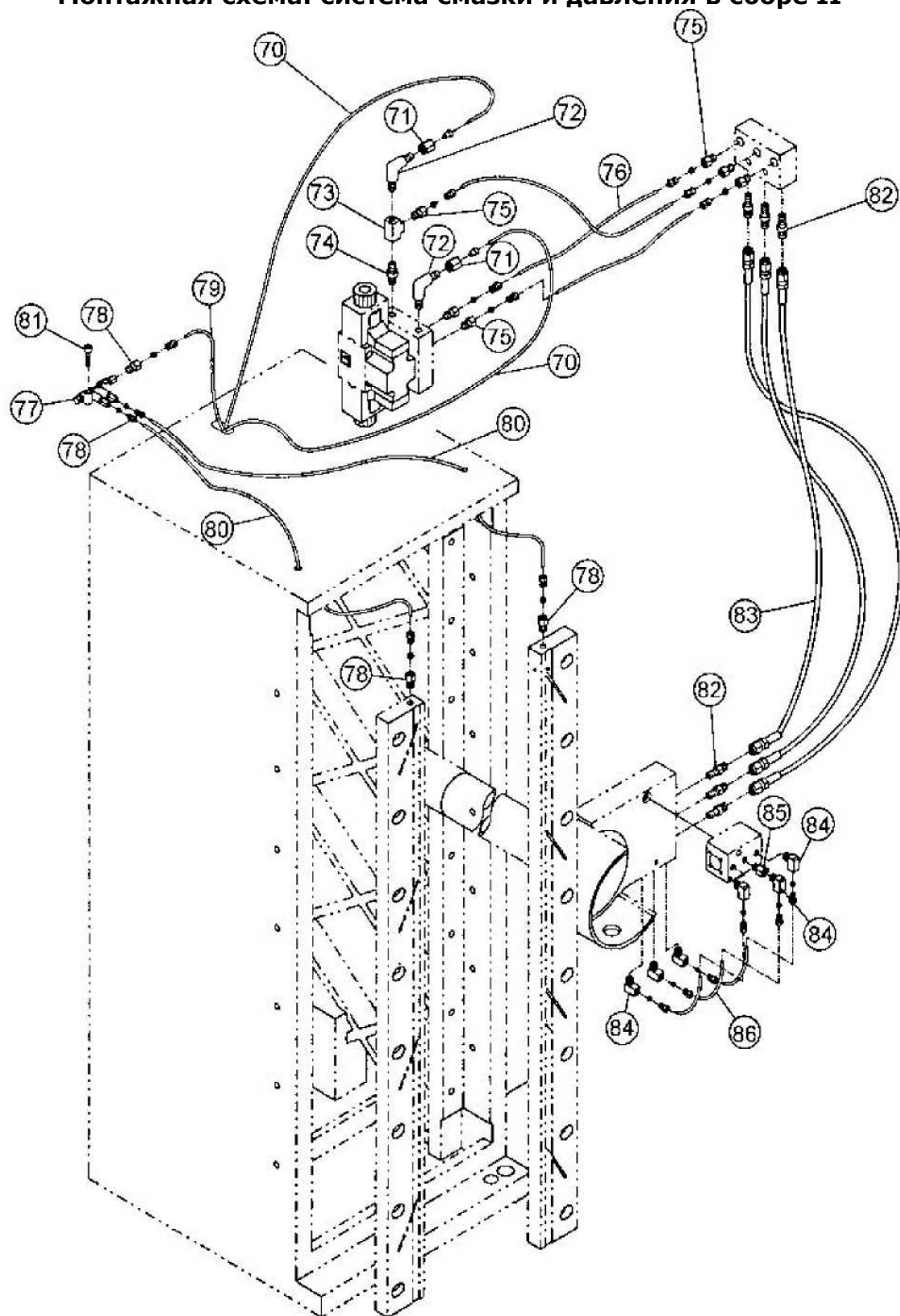
Монтажная схема: система смазки и давления в сборе I



Список деталей: система смазки и давления в сборе I

№	№ детали	обозначение	размер	кол-во
61	1020A-61	Joint	PT3/8"xPS1/2"	2
62	1020A-62	Lashing Ring	1/2"	4
63	1020A-63	Nut	1/2"	4
64	1020A-64	Copper Hose	1/2"	2
65	1020A-65	Tube Joint (90°)	PT3/8"xPS1/2"	1
66	1020A-66	Long Tube Joint (90°)	PT3/8"xPS1/2"	3
67	1020A-67	Joint	PT3/8"xPT3/8"	1
68	1020A-68	OilHose	1/2"	1
	1020A-68A	OilHose	3/8"	1
	1224A-68	OilHose	1/2"	2
69	1020A-69	Joint	PT1/2"xPS1/2"	2

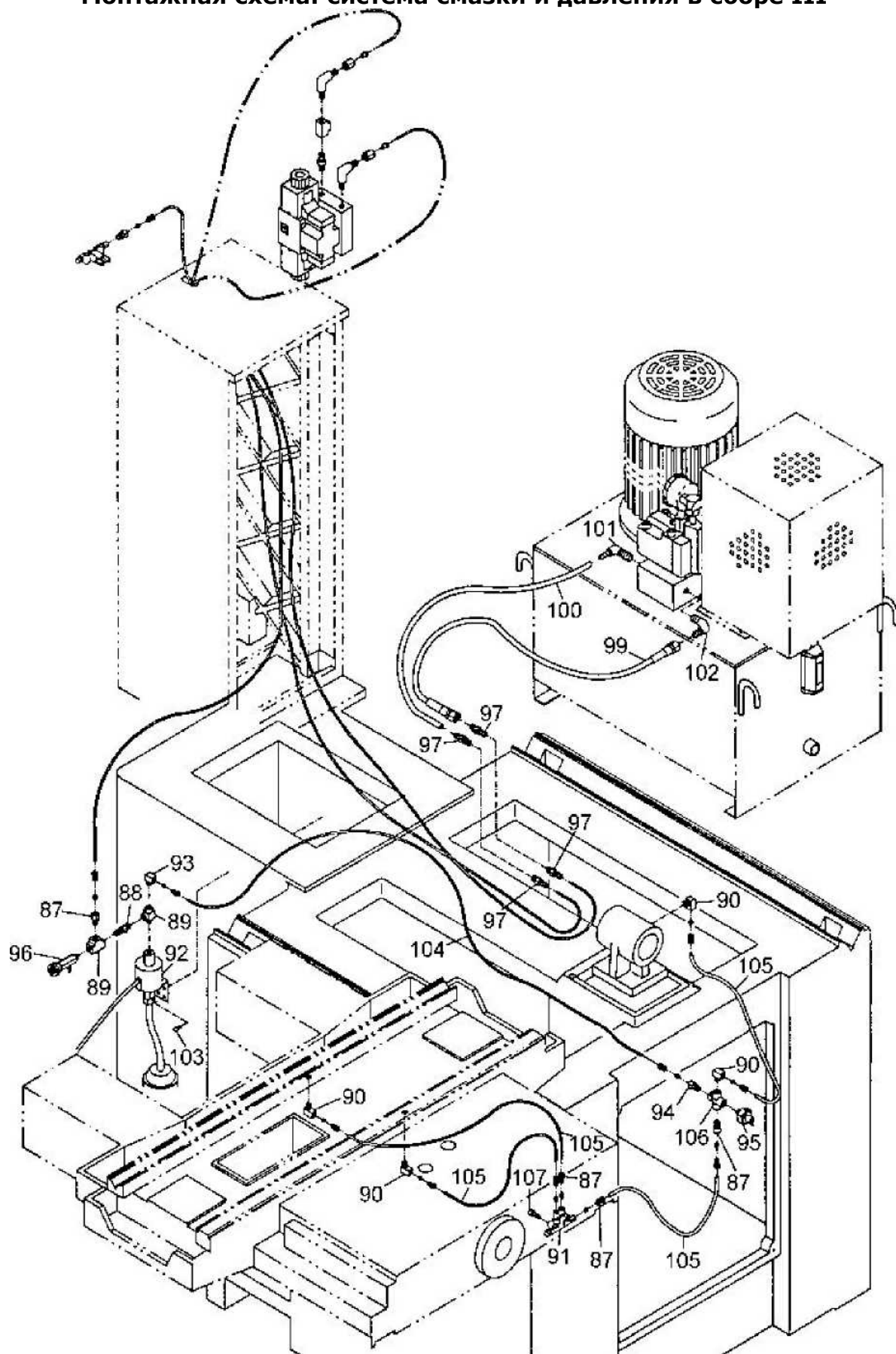
Монтажная схема: система смазки и давления в сборе II



Список деталей: система смазки и давления в сборе II

№	№ детали	обозначение	размер	кол-во
70	1020A-70	Copper Hose	1/4"x15-3/4"	2
71	1020A-71	Connector	1/4"	2
72	1020A-72	Tube Joint (90°)	PT1/8"xPS1/4"	2
73	1020A-73	Copper Joint	PT1/8"	1
74	1020A-74	Joint	PT1/8"xPT1/8	1
75	1020A-75	Joint	6	6
76	1020A-76	Plastic Hose	6x1 M	3
77	1020A-VB2	Oil Regulation Distributor		1
78	1020A-78	Joint	4	5
79	1020A-79	Copper Hose	4x4M	1
80	1020A-80	Plastic Hose	M4x1M	2
81	TS-1502071	Hex Socket Cap Screw	M5x30	2
82	1020A-82	Joint	PT1/8"xPS1/4"	6
83	1020A-83	Oil Hose	1/4"	3
84	1020A-84	Tube Joint	PT1/8"x6	6
85	1020A-85	Joint	PT1/8"x6	1
86	1020A-86	Plastic Hose	6x6M	3

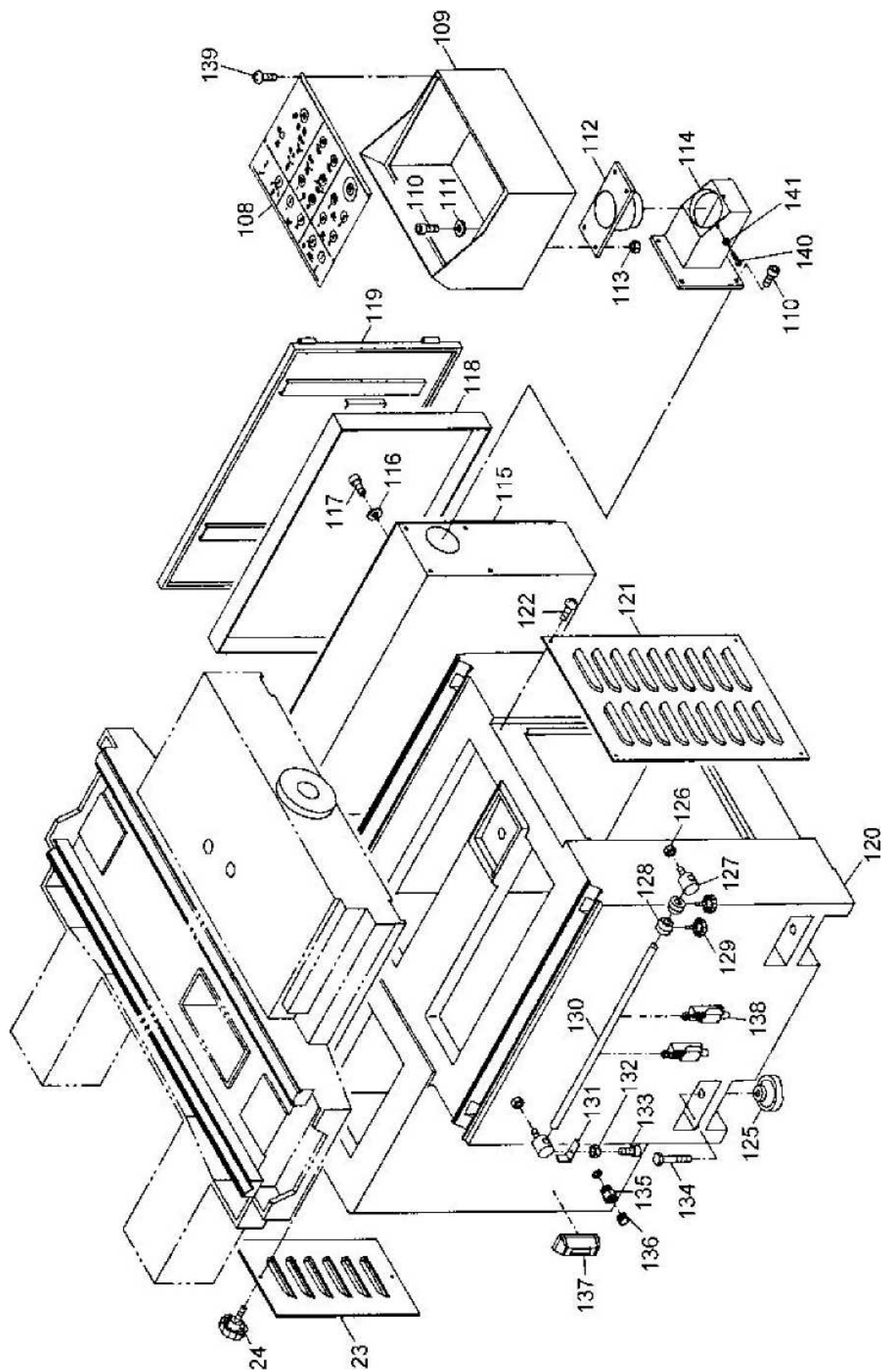
Монтажная схема: система смазки и давления в сборе III



Список деталей: система смазки и давления в сборе III

№	№ детали	обозначение	размер	кол-во
87	1020A-87	Joint	4	5
88	1020A-88	Joint	PT1/8"xPT1/8"	1
89	1020A-89	Joint	PT1/8"	2
90	1020A-90	Tube Joint (90°)	Ø4	4
91	1020-VB2	Oil Regulation Distributor		1
92	YEH110V	Magnetic Pump Assembly (incl. #96)		1
93	1020A-93	Tube Joint (90°)	Ø6	1
94	1020A-94	Joint	Ø6	1
95	JPS01	Limit Switch		1
96	1020A-96	Test Switch		1
97	1020A-97	Joint	PT1/8"xPS1/4"	1
98	1020A-98	Joint	PT1/8"x5/16"	1
99	1020A-99	Oil Hose	PS1/4"	1
100	1020A-100	Plastic Hose	5/16"	1
101	1020A-101	Tube Joint (90°)	PT1/4"x5/16"	1
102	1020A-102	Tube Joint (90°)	PT1/4"x1/4"	1
103	TS-2285102	Pan Head Screw	M5x10	1
104	1020A-104	Aluminum Hose	Ø6x3M	1
105	1020A-105	Copper Hose	Ø4x1M	4
106	1020A-106	Joint	1/8"	1
107	TS-1502071	Socket Head Cap Screw	M5x30	2

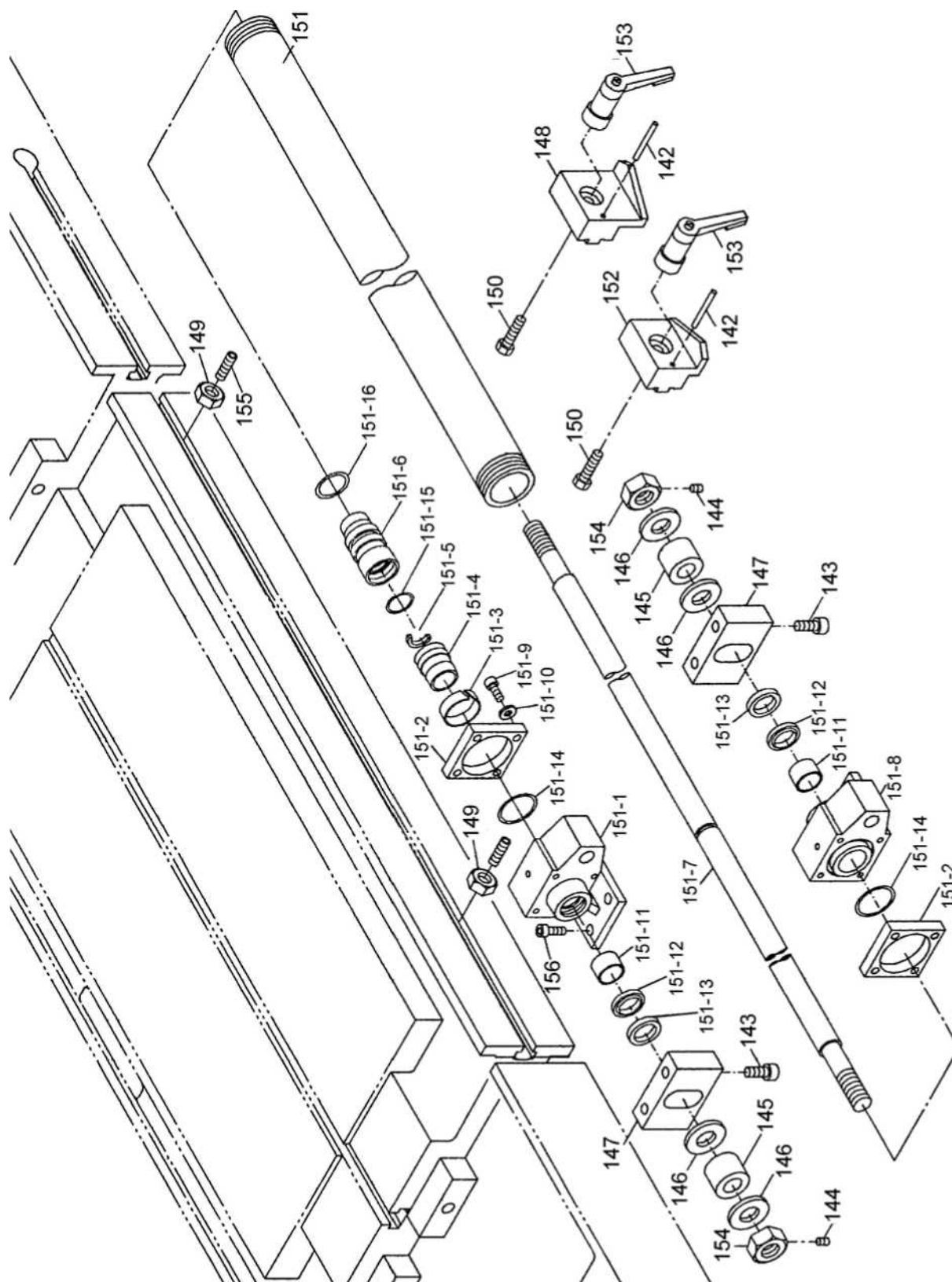
Монтажная схема: основание в сборе



Список деталей: основание в сборе

№	№ детали	обозначение	размер	кол-во
108.....	K4091806	Control Plate.....		1
109.....	K4052706	Control Box		1
110.....	TS-1504051	Hex Socket Cap Screw	M8x25	8
111.....	TS-1550051	Flat Washer	Ø8	4
112.....	K4055503	Bracket.....		1
113.....	TS-1540061	Nut	M8	4
114.....	K4055400	Arm Support.....		1
115.....	K4052108	Electric Control Box		1
116.....	TS-1550041	Washer.....	Ø6	4
117.....	TS-1503021	Hex Socket Cap Screw	M6x10	4
118.....	K4052304	Electric Control Box-Bottom		1
119.....	K4052201	Electric Control Cover		1
120.....	K3050104	Base(1020A)		1
	K4050106	Base(1224A)		1
121.....	K4053109	Front Cover		1
122.....	TS-2285102	Pan Head Screw.....	M5x10	4
123.....	K4053006	Rear Cover		1
124.....	1020A-124	Knob	1/4"-20NF	2
125.....	K4052902	Leveling Block.....		5
126.....	TS-1540081	Nut	M12	2
127.....	K4053202	Fixed Rod.....		2
128.....	K4053408	Anchor Block		2
129.....	1020A-129	Knob	1/4"-20NF	2
130.....	K4053305	Rod		1
131.....	K4053501	Safety Plate.....		2
132.....	TS-1540041	Nut	M6	2
133.....	TS-1503051	Hex Socket Cap Screw	M6x20	2
134.....	1020A-134	Adjusting Bolt.....	3/4"x2-1/2"	5
135.....	1020A-135	Joint.....	PT1/2"xPT3/4"	1
136.....	1020A-136	Plug	PT1/2"	1
137.....	1020A-137	Oil Gauge.....	LS-3"	1
138.....	TZ8104	Limit Switch		2
139.....	TS-2285102	Pan Head Screw.....	M5x10	4
140.....	TS-1503051	Hex Socket Cap Screw	M6x20	2
141.....	TS-1540041	Nut	M6	2

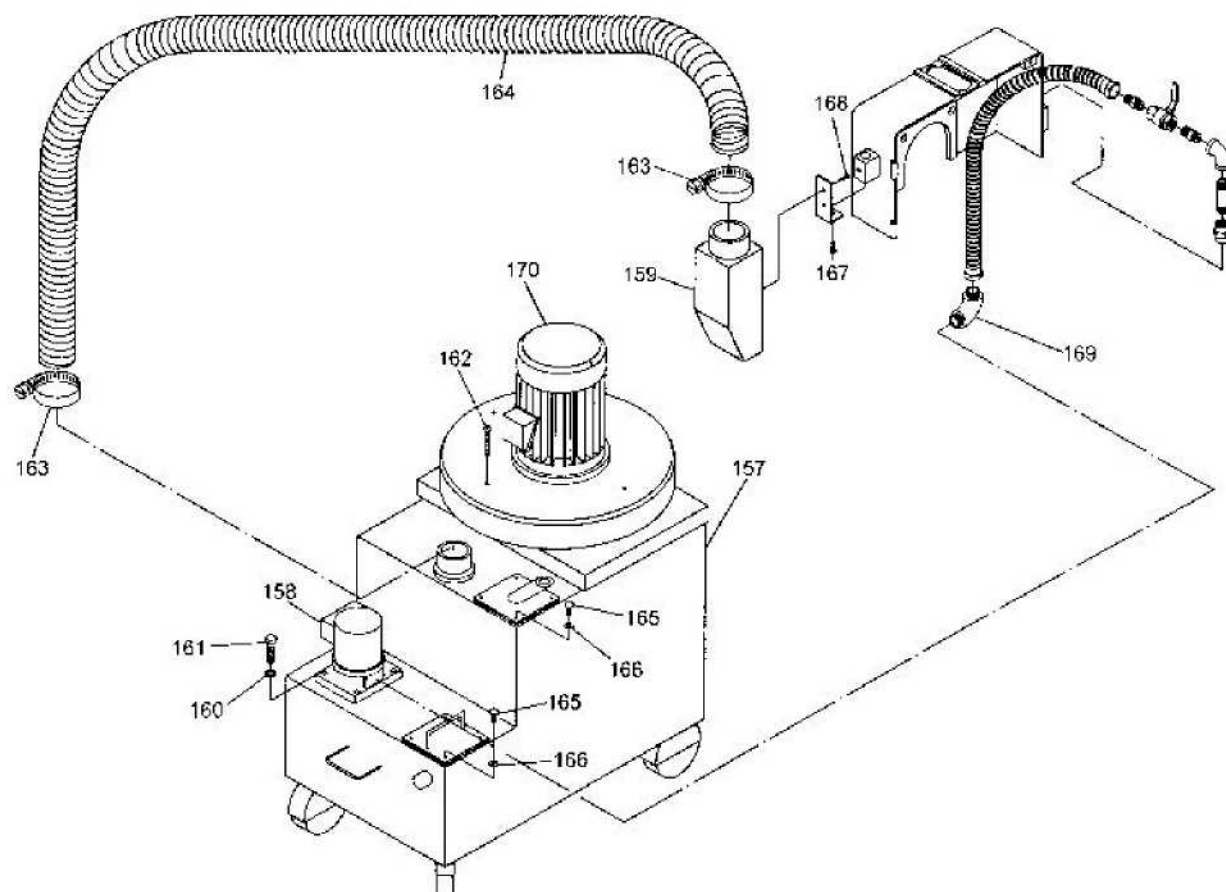
Монтажная схема: стол в сборе



Список деталей: стол в сборе

№	№ детали	обозначение	размер	кол-во
142.....	1020A-142	Spring Pin	Ø4x40	2
143.....	TS-1504101	Hex Socket Cap Screw	M8x50	4
144.....	TS-1523011	Set Screw	M6x6	2
145.....	K4030308	Rubber Bushing	2
146.....	K4030205	Washer	4
147.....	K4030102	Bracket.....	2
148.....	K4030700	Stroke Positioning Block (R)	1
149.....	K4030803	Stop Nut	2
150.....	K4030906	T-Bolt	2
151.....	A3032401	Hydraulic Cylinder Assembly	1
.....	(incl. 151-1,2,3,4,5,6,7,8,9,10,11,12,13,14,15,16) (1020A)	1
.....	A4032403	Hydraulic Cylinder Assembly	1
.....	(incl. 151-1,2,3,4,5,6,7,8,9,10,11,12,13,14,15,16) (1224A)	1
151-1...	T4030205	Bracket (L).....	1
151-2...	T4030401	Cover	2
151-3...	T3030203	Wearing Ring (1020A).....	Ø30x8	1
.....	T4030906	Wearing Ring (1224A).....	Ø35x8	1
151-4...	T3030306	Fixed Nut (1020A)	1
.....	T4030504	Fixed Nut (1224A)	1
151-5...	T3030409	Spacer (1020A)	1
.....	T4030803	Spacer (1224A)	1
151-6...	T3030502	Piston (1020A).....	1
.....	T4030607	Piston (1224A).....	1
151-7...	T3030605	Piston Rod (1020A)	1
.....	T4030607	Piston Rod (1224A)	1
151-8...	T4030308	Bracket (R)	1
151-9...	TS-1503051	Hex Socket Cap Screw	M6x20	8
151-10.	TS-1550041	Washer	Ø6	8
151-11.	LF2015	Oil Bearing	2
151-12.	1020A-151-12	Seal	DH20	2
151-13.	1020A-151-13	Seal	USH20	2
151-14.	1020A-151-14	O-Ring.....	G30.....	2
151-15.	1020A-151-15	O-Ring.....	P20	1
151-16.	1020A-151-16	O-Ring.....	D24.....	1
152.....	K4030607	Stroke Positioning Block (L)	1
153.....	KA072300	Adjusting Handle.....	2
154.....	1020A-154	Nut w/Hole for Set Screw	M16	2
155.....	TS-1526011	Set Screw	M12x12	2
156.....	TS-1504041	Hex Socket Cap Screw	M8x20	4

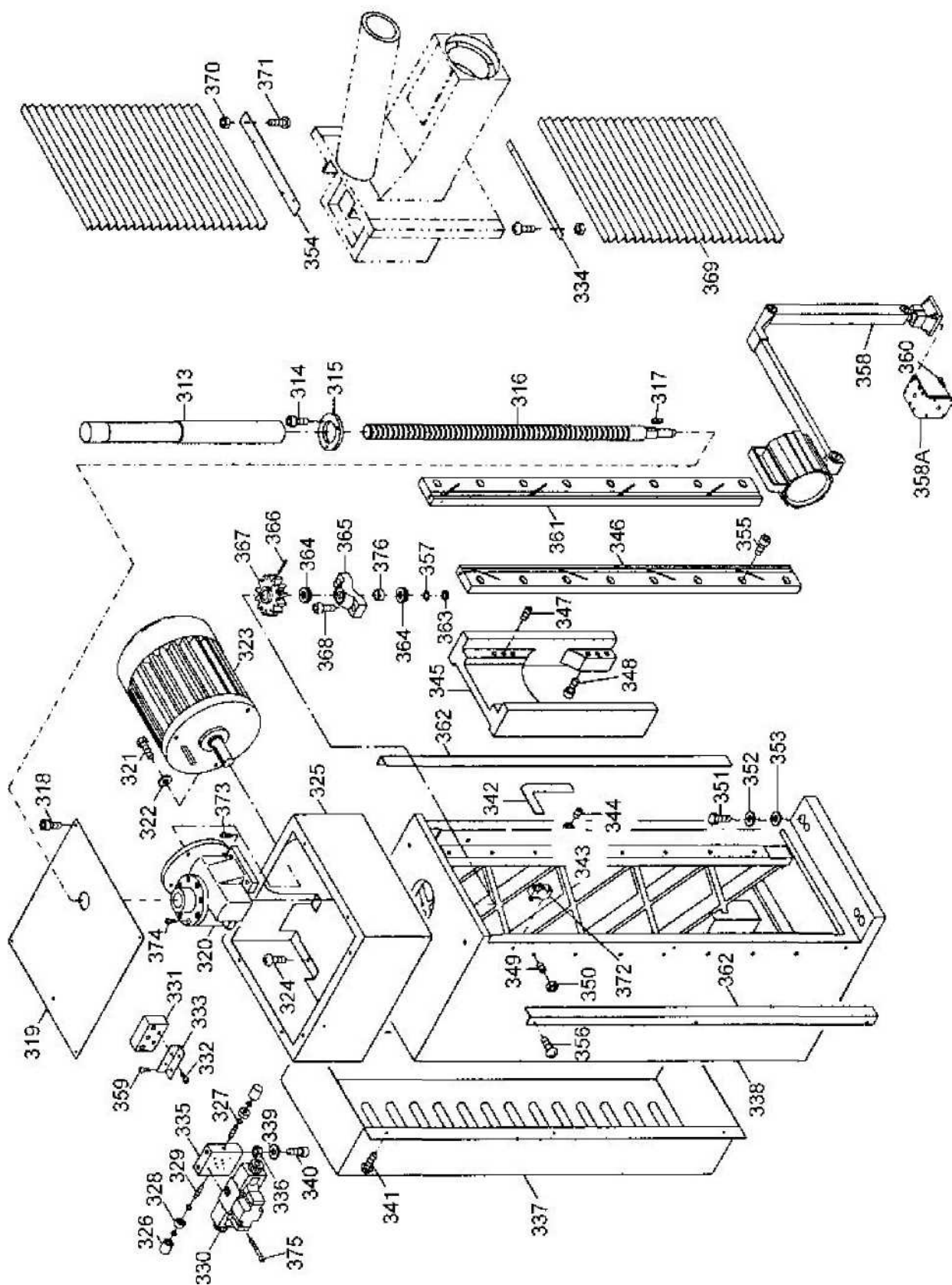
Монтажная схема: вытяжное устройство



Список деталей: вытяжное устройство

№	№ детали	обозначение	размер	кол-во
157.....	A4070100	Dust & Coolant Control System		1
158.....	1020A-158	Pump	1/8HP	1
159.....	T4010108	Dust Collector Cover		1
160.....	TS-1550051	Flat Washer	Ø8	4
161.....	TS-1221021	Hex Cap Screw	M8x12	4
162.....	1020A-162	Hex Socket Cap Screw	M6x80	4
163.....	1020A-163	Retainer Ring	3"	2
164.....	1020A-164	Plastic Hose		1
165.....	1020A-165	Screw	1/4"x10	8
166.....	TS-1550041	Flat Washer	Ø6	8
167.....	TS-223608	Hex Socket Cap Screw	M6x8	1
168.....	TS-1503021	Hex Socket Cap Screw	M6x10	2
169.....	1020A-169	Tube Joint (90°)	PT3/8"xPS5/8"	1
170.....	1020A-170	Motor	1/2HP	1

Монтажная схема: стойка в сборе



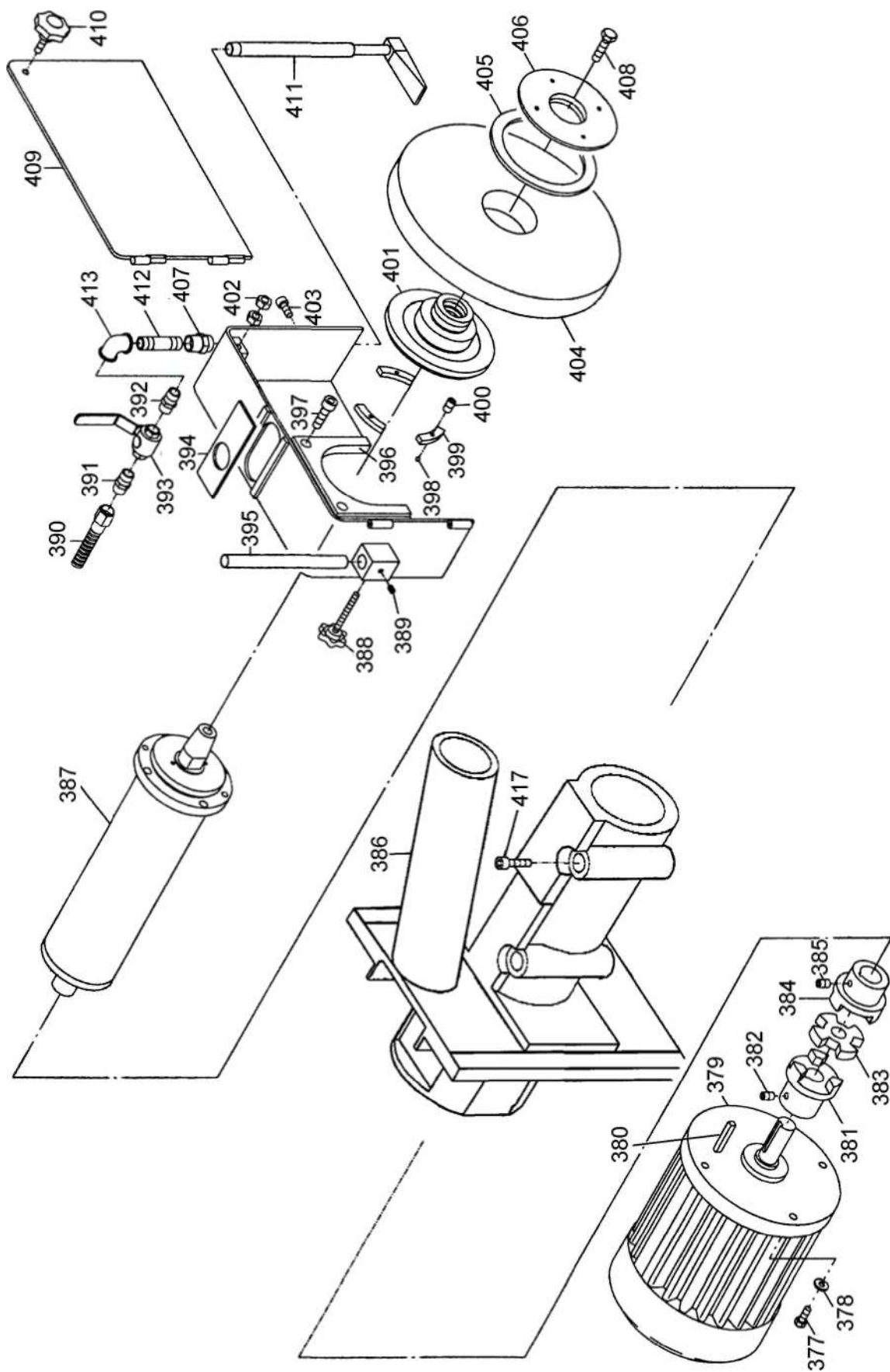
Список деталей: стойка в сборе

№	№ детали	обозначение	размер	кол-во
313.....	K4014700	Vertical Lead Screw Cover		1
314.....	TS-1502031	Socket Head Cap Screw	M5x12	3
315.....	K4014803	Bottom Cover		1
316.....	K3016303	Vertical Lead Screw (1020A)		1
	K4016300	Vertical Lead Screw (1224A)		1
317.....	1020A-317	Key	5x5x12	1
318.....	TS-1502011	Hex Socket Cap Screw	M5x8	4
319.....	K3014605	Top Cover (1020A)		1
	K4014607	Top Cover (1224A)		1
320.....	K3010405	Worm Gear Box (1020A)		1
	K4016506	Worm Gear Box (1224A)		1
321.....	TS-2208301	Hex Cap Screw	M8x30	4
322.....	TS-1551061	Lock Washer	Ø8	4
323.....	1020A-323	Motor	1/4HP 6P	1
324.....	1020A-324	Pan Head Screw	M5X8	6
325.....	K3014502	Motor Gear Box Guard (1020A)		1
	K4014504	Motor Gear Box Guard (1224A)		1
326.....	K4014205	Adjusting Nut (Back)		2
327.....	1020A-327	O-Ring	P10A	4
328.....	K4014102	Adjusting Nut (Front)		2
329.....	K4014009	Adjusting Screw		2
330.....	DSVG022BA1-10	Solenoid Valve		1
331.....	K4013709	Tube Connecting Seat		1
332.....	TS-1523041	Hex Socket Cap Screw (1020A)	M6x12	4
	TS-1523041	Hex Socket Cap Screw (1224A)	M6x12	2
333.....	K4013802	Bracket		1
334.....	K4015103	Locking Plate		4
335.....	K4013905	Hydraulic Oil Valve		1
336.....	TS-1540071	Nut	M10	2
337.....	K3015307	Back Cover (1020A)		1
	K4015309	Back Cover (1224A)		1
338.....	K3013109	Column (1020A)		1
	K4013105	Column (1224A)		1
339.....	TS-1550051	Flat Washer	Ø8	2
340.....	TS-1515051	Hex Socket Cap Screw	M8x40	2
341.....	1020A-341	Pan Head Screw	M5x8	6
342.....	K4014401	Limit Switch Bracket		1
343.....	TS-1540071	Nut	M10	1
344.....	TS-1525041	Set Screw	M10x20	1
345.....	K3012809	Back Plate (1020A)		1
	K4012801	Back Plate (1224A)		1
346.....	K3013202	Head Guide Plate (1020A)(L)		1
	K4017301	Head Guide Plate (1224A)(L)		1
347.....	TS-1525041	Set Screw	M10x45	4
348.....	TS-223955	Hex Socket Cap Screw (1020A)	M10x55	8
	TS-1505101	Hex Socket Cap Screw (1224A)	M10x60	8
349.....	TS-1524031	Set Screw (1020A)	M10x40	12
	TS-1524041	Set Screw (1224A)	M10x45	14

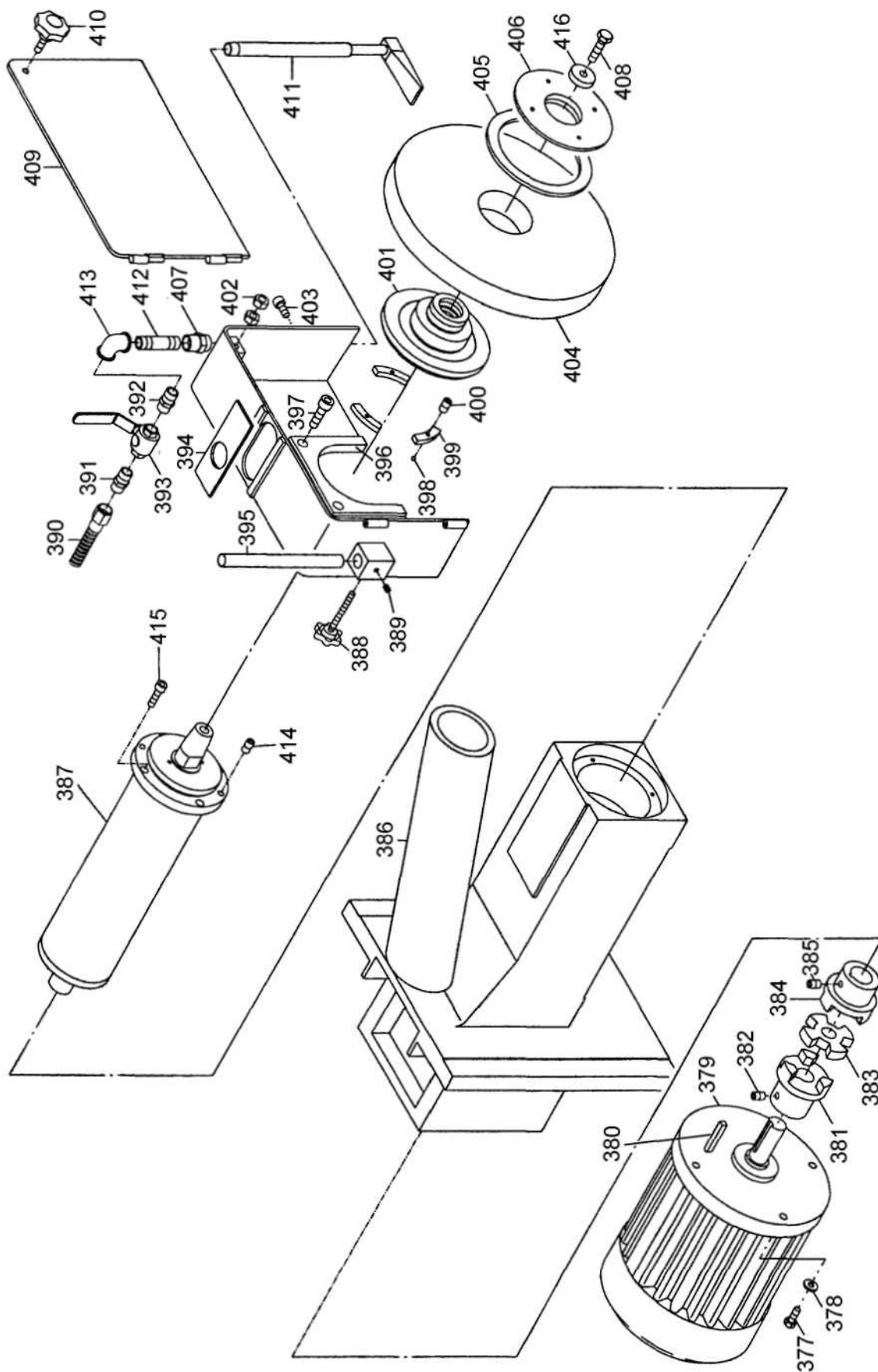
Список деталей: стойка в сборе

№	№ детали	обозначение	размер	кол-во
350.....	TS-1540071	Nut (1020A)	M10	12
.....	TS-1540071	Nut(1224A)	M10	14
351.....	1020A-351	Hex Cap Screw	3/4"-10UNC.....	4
352.....	TS-0680091	Flat Washer	Ø3/4"	4
353.....	TS-0720141	Spring Washer	Ø3/4"	4
354.....	K4014906	Fixed Plate		2
355.....	TS-1516031	Hex Socket Cap Screw	M10x30	16
356.....	1020A-356	Pan Head Screw	M5x8	6
357.....	1020A-357	Locking Washer (1020A)	AW02	1
.....	1224A-357	Locking Washer (1224A)	AW02	2
358.....	1020A-358	Work Lamp.....		1
358A....	1020A-358A	Bracket.....		1
.....	1020A-358B	Bulb (not Shown)		1
359.....	TS-2285102	Pan Head Screw	M5x10	2
360.....	TS-1514011	Hex Socket Cap Screw	M6x12	2
361.....	K3013305	Head Guide Plate (1020A)R		1
.....	K4017404	Head Guide Plate (1224A)R		1
362.....	K3015204	Dust Guard (1020A)		2
.....	K4015206	Dust Guard (1224A)		2
363.....	1020A-363	Lock Nut	AN02	1
364.....	BB-51103.....	Thrust Bearing		2
365.....	K3013408	Socket Seat (1020A)		1
.....	K4013400	Socket Seat (1224A)		1
366.....	1020A-366	Tapered Pin	4x40	1
367.....	K4013503	Worm Wheel.....		1
368.....	1020A-368	Hex Socket Cap Screw (1020A)	M16x25	2
.....	TS-1504051	Hex Socket Cap Screw (1224A)	M8x25	2
369.....	K4015000	Dust Cover		2
370.....	TS-1540031	Nut	M5	4
371.....	1020A-371	Pan Head Screw	M5x8	14
372.....	Z15GW22B.....	Limit Switch		1
373.....	1020A-373	Hex Socket Cap Screw	M10x75	4
374.....	TS-1504041	Hex Socket Cap Screw	M8x20	6
375.....	1020A-375	Hex Socket Cap Screw	M5x55	4
376.....	TA1715Z.....	Needle Bearing (1224A)		1

Монтажная схема: голова в сборе 1020А



Монтажная схема: голова в сборе 1224А

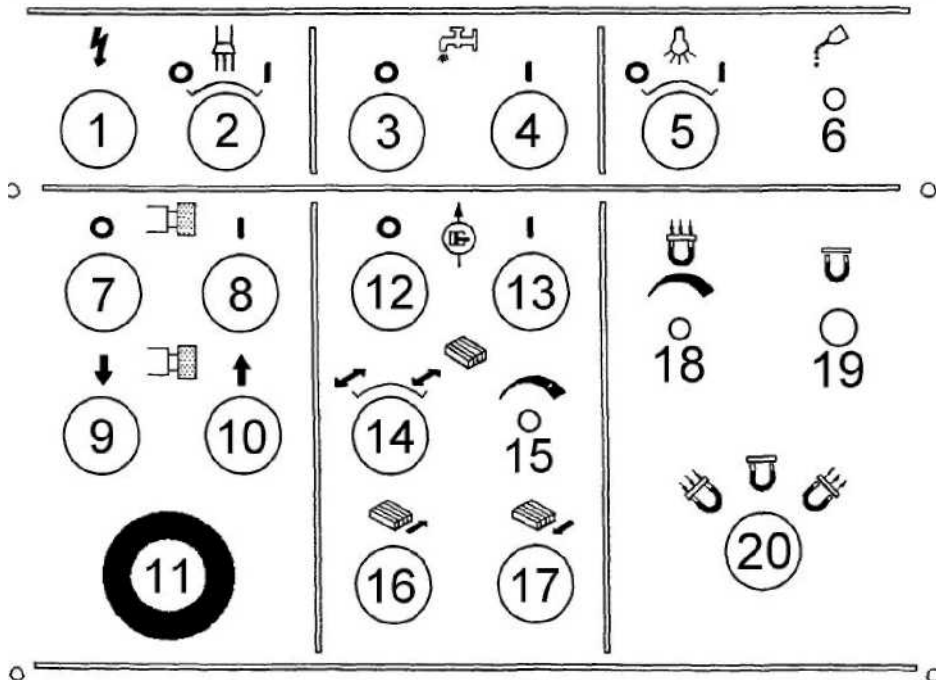


Список деталей: голова в сборе 1020A и 1224A

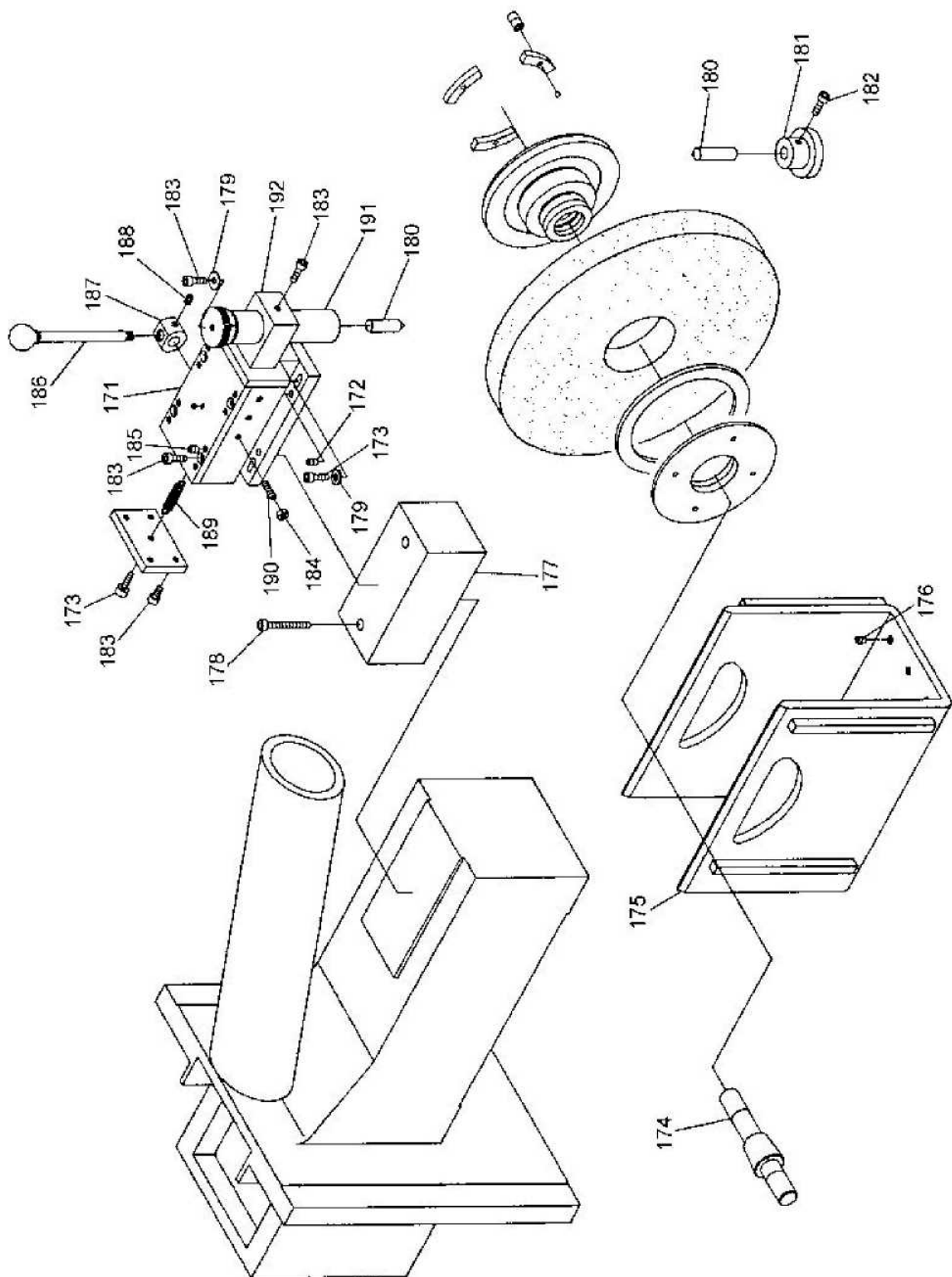
№	№ детали	обозначение	размер	кол-во
377	TS-1491041	Hex Cap Screw	M10x30	4
378	TS-1551071	Lock Washer	Ø10	4
379	1020A-379	Motor	2HP	1
	1224A-379	Motor	3HP	1
380	Key4410	Key	4x4x10	1
381	K3012500	Coupling (1020A)		1
	K4012505	Coupling (1224A)		1
382	TS-1524021	Set Screw	M8x10	3
383	K4012409	Rubber Pad		1
384	T3010106	Spindle Coupling (1020A)		1
	K4012306	Spindle Coupling (1224A)		1
385	TS-1524021	Set Screw	M8x10	3
386	K3012706	Wheel Head (1020A)		1
	K4012708	Wheel Head (1224A)		1
387	A3016803	Spindle (1020A)		1
	A4010408	Spindle (1224A)		1
388	1020A-388	Knob	5/16"-18NC	1
389	1020A-389	Set Screw	5/16"-18NC	1
390	K3016700	Hose(1020A)		1
	K4016702	Hose(1224A)		1
391	1020A-391	Joint Bell	PS3/8"XPT3/8"	1
392	1020A-392	Joint	3/8"	1
393	1020A-393	Flow Control Valve		1
394	K3010302	Cover (1020A)		1
	K4010304	Cover (1224A)		1
395	K4010500	Adjusting Rod		1
396	K3010106	Cover (Inside) (1020A)		1
	K4010108	Cover (Inside) (1224A)		1
397	TS-1503051	Hex Socket Cap Screw (1020A)	M6x20	3
	TS-1504041	Hex Socket Cap Screw (1224A)	M8x30	2
398	1020A-398	Steel Shot	1/8"	3
399	T3010302	Balancing (1020A)		3
	K4010902	Balancing (1224A)		3
400	TS-1522011	Set Screw	M5x6	3
401	1020A-401A	Wheel Adapter Assembly (incl. # 398-401, 405, 406) (1020A)		1
	K4010603	Wheel Adapter Assembly (incl. #398-401,405, 406) (1224A)		1
402	TS-0561021	Nut	5/16"-18NC	1
403	TS-1503061	Hex Socket Cap Screw	M6x20	1
404	1020A-404	Wheel	Ø205x22xØ32	1
	1224A-404	Wheel	Ø305x76xØ31.7	1
405	1020A-405	Washer (1020A)		1
	K4010706	Washer (1224A)		1
406	A3016906	Wheel Pressed Plate (1020A)		1
	K4010809	Wheel Pressed Plate (1224A)		1
407	1020A-407	Joint	PT3/8"xPT3/8"	1
408	T3010209	Hex Cap Screw (1020A)		1
	K4011109	Hex Cap Screw (1224A)		1
409	K3010209	Wheel Cover (Outside) (1020A)		1
	K4010201	Wheel Cover (Outside) (1224A)		1
410	1020A-410	Knob	5/16"x-18NC	1
411	K4016609	Coolant Nozzle		1
412	1020A-412	Joint	PT3/8"xPT3/8"	1
413	1020A-413	Tube Joint (90°)	PT3/8"xPT3/8"	1
414	TS-1524031	Set Screw (1224A)	M8x12	2
415	TS-1503051	Hex Socket Cap Screw (1224A)	M6x20	4
416	K4011006	Collar (1224A)		1
417	TS-1506091	Hex Socket Cap Screw (1020A)	M12x60	2

Панель управления

1	1020A-PB1	Power On Button	1
2	1020A-CS1	Dust Collection On/Off Switch	1
3	1020A-PB2	Coolant Off Button	1
4	1020A-PB3	Coolant On Button	1
5	1020A-CS2	Working Lamp On/Off Switch	1
6	1020A-L1	Auto Lubrication Alarm Indicator	1
7	1020A-PB4	Grinding Wheel Off Button	1
8	1020A-PB5	Grinding Wheel On Button	1
9	1020A-PB6	Wheel Head Down Button	1
10	1020A-PB7	Wheel Head Up Button	1
11	1020A-PB8	Emergency Stop Button	1
12	1020A-PB9	Hydraulic Off Button	1
13	1020A-PB10	Hydraulic On Button	1
14	1020A-CS3	Crossfeed Manual/Auto Selection Switch	1
15	1020A-VR1	Crossfeed Speed Adjusting Switch	1
16	1020A-PB11	Crossfeed Backward Button	1
17	1020A-PB12	Crossfeed Forward Button	1
18	1020A-VR2	Magnetic Chuck Power Adjusting Switch	1
19	1020A-L2	Magnetic Chuck Indicator Light	1
20	1020A-CS4	Magnetic Chuck Mode Selection Switch	1



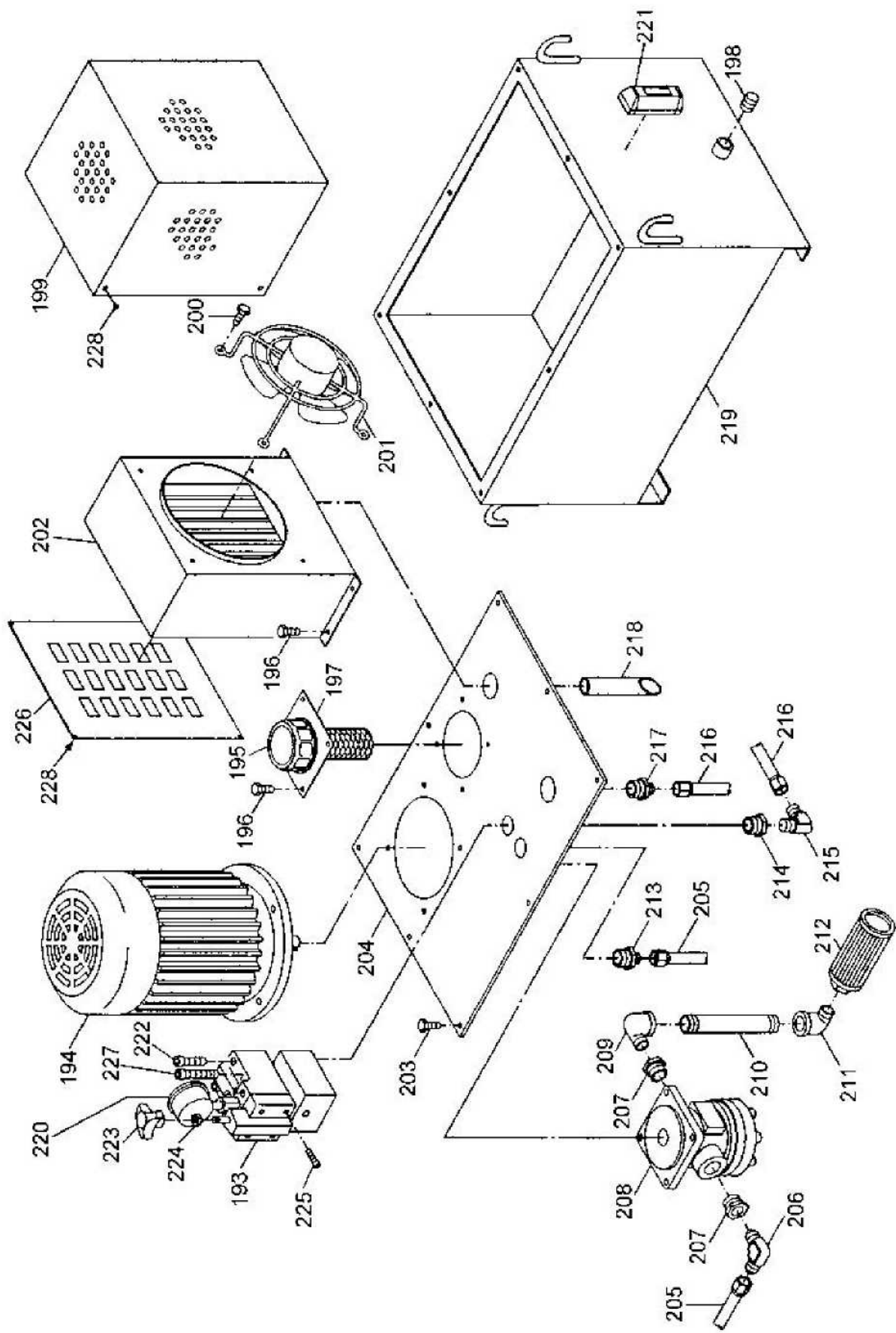
Монтажная схема: вытяжное устройство в сборе II



Список деталей: вытяжное устройство в сборе II

№	№ детали	обозначение	размер	кол-во
171.....	E250P0507100.....	Base.....		1
172.....	TS-1523051	Set Screw	M6x16	4
173.....	TS-1503051	Hex Socket Cap Screw	M6x20	5
174.....	K4012904	Balancing Arbor		1
175.....	K4013008	Balancing Stand		1
176.....	TS-1524051	Set Screw	M8x20	3
177.....	K4017507	Block.....		1
178.....	1020A-178	Hex Socket Cap Screw	M6x75	2
179.....	TS-1550041	Flat Washer	Ø6	5
180.....	1020A-180	Diamond Dresser	No.10	1
181.....	K4072205	Dresser.....		1
182.....	TS-1504021	Hex Socket Cap Screw	M8x12	1
183.....	TS-1514011	Hex Socket Cap Screw	M6x12	10
184.....	TS-1540041	Nut	M6	3
185.....	TS-1523041	Set Screw	M6x12	8
186.....	T4070100	Handle.....		1
187.....	P050712	Guide Block		1
188.....	TS-1523031	Set Screw	M6x10	1
189.....	P050704	Test Spring		1
190.....	TS-1523061	Set Screw	M6x20	3
191.....	T4070203	Sleeve		1
192.....	P050702	Slide Valve Seat		1

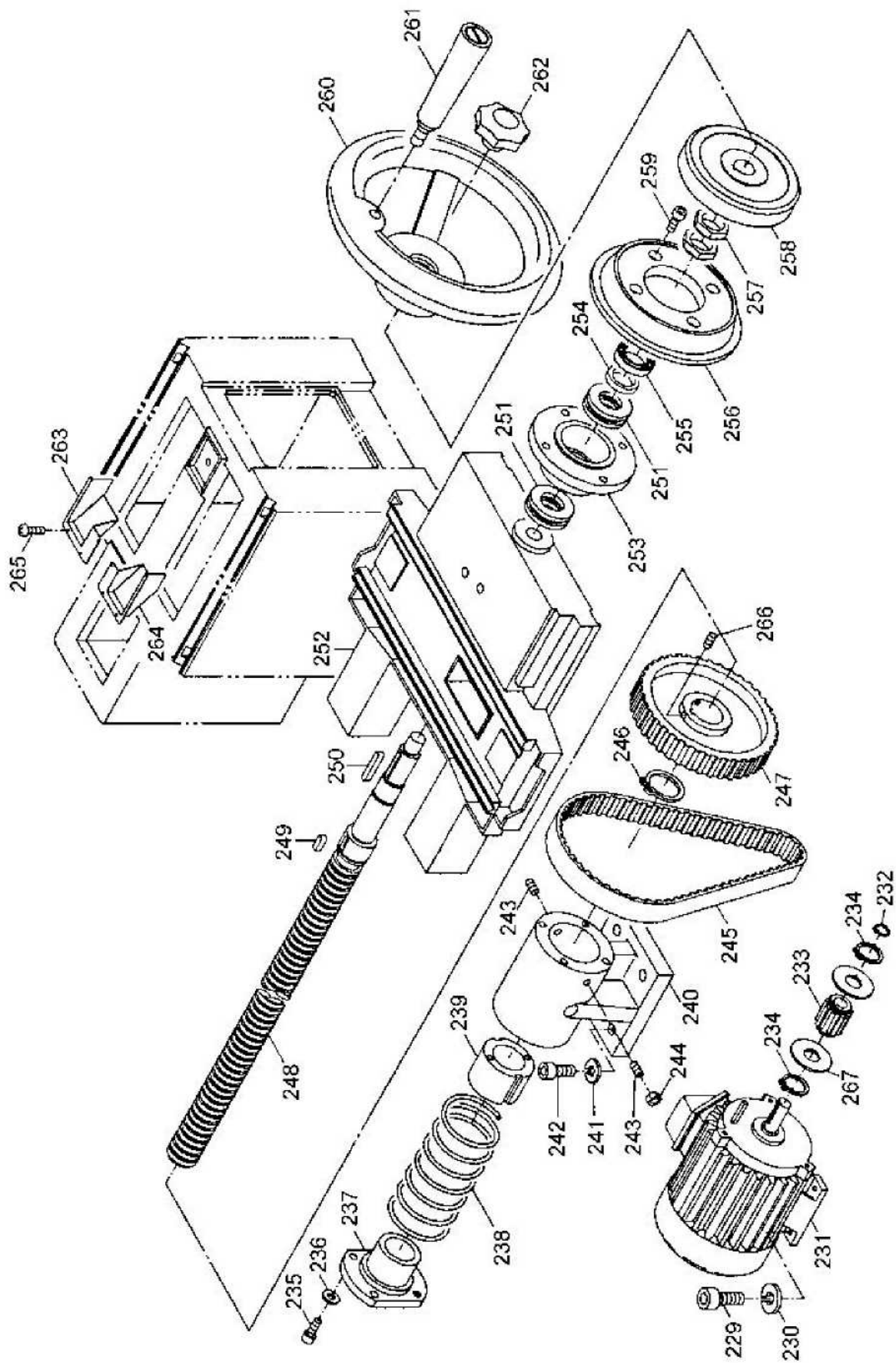
Монтажная схема: гидравлический бак в сборе



Список деталей: гидравлический бак в сборе

№	№ детали	обозначение	размер	кол-во
193.....	BG-03.....	Pressure Regulating Valve		1
194.....	1020A-194	Motor	1HP3Ph6P	1
.....	1224A-194	Motor	2HP3Ph6P	1
195.....	HS-1163	Filler Fuel Tank		1
196.....	TS-0050011	Hex Cap Screw	1/4"x1/2".....	8
197.....	T4040408	Fixed Plate		1
198.....	1020A-198	Plug	PS1/2".....	1
199.....	K4040604	Cover		1
200.....	1020A-200	Hex Cap Screw	M6x1	4
201.....	410240A11	Fan		1
202.....	T4040305	Cooler		1
203.....	TS-0081031	Hex Cap Screw	5/16"x3/4".....	6
204.....	T4040202	Top Cover		1
205.....	1020A-205	Oil Hose.....	PS1/2".....	2
206.....	1020A-206	Tube Joint (90°).....	PT3/4"xPS1/2"	1
207.....	1020A-207	Joint.....	PT1"xPT3/4".....	2
208.....	50T236F	Pump		1
209.....	1020A-209	Tube Joint.....	PT1/2"xPS1/2"	1
210.....	1020A-210	Oil Nozzle.....	PT3/4"x5"	1
211.....	1020A-211	Tube Joint.....	PT3/4".....	1
212.....	MF06.....	Screen Oil		1
213.....	1020A-213	Tube Joint (90°).....	PT3/4"xPS1/2"	1
214.....	1020A-214	Joint.....	PT1/2".....	1
215.....	1020A-215	Tube Joint (90°).....	PT1/2"xPS1/2"	1
216.....	1020A-216	Oil Hose.....	PS1/2".....	1
217.....	1020A-217	Joint.....	PT3/4"xPS1/2".....	1
218.....	1020A-218	Oil Nozzle.....	PT3/4"x5"	1
219.....	T3040109	Oil Tank (1020A).....		1
.....	T4040109	Oil Tank (1224A).....		1
220.....	1020A-220	Pressure Gauge.....	2-1/2"-70Kg.....	1
221.....	YF-3	Oil Gauge.....		1
222.....	TS-1506131	Hex Socket Cap Screw	M12x75	2
223.....	1020A-223	Knob		1
224.....	TS-1540071	Hex Nut.....	M10x1.5	1
225.....	TS-1504061	Hex Socket Cap Screw	M8x30.....	4
226.....	T4041409	Cover		1
227.....	TS-1506141	Hex Socket Cap screw.....	M12x90	2
228.....	1020A-228	Pan Head Screw.....	M4x10	7
.....	1020A-HTA.....	Hydraulic Tank Assembly (not including #199)		1
.....	1224A-HTA.....	Hydraulic Tank Assembly (not including #199)		1

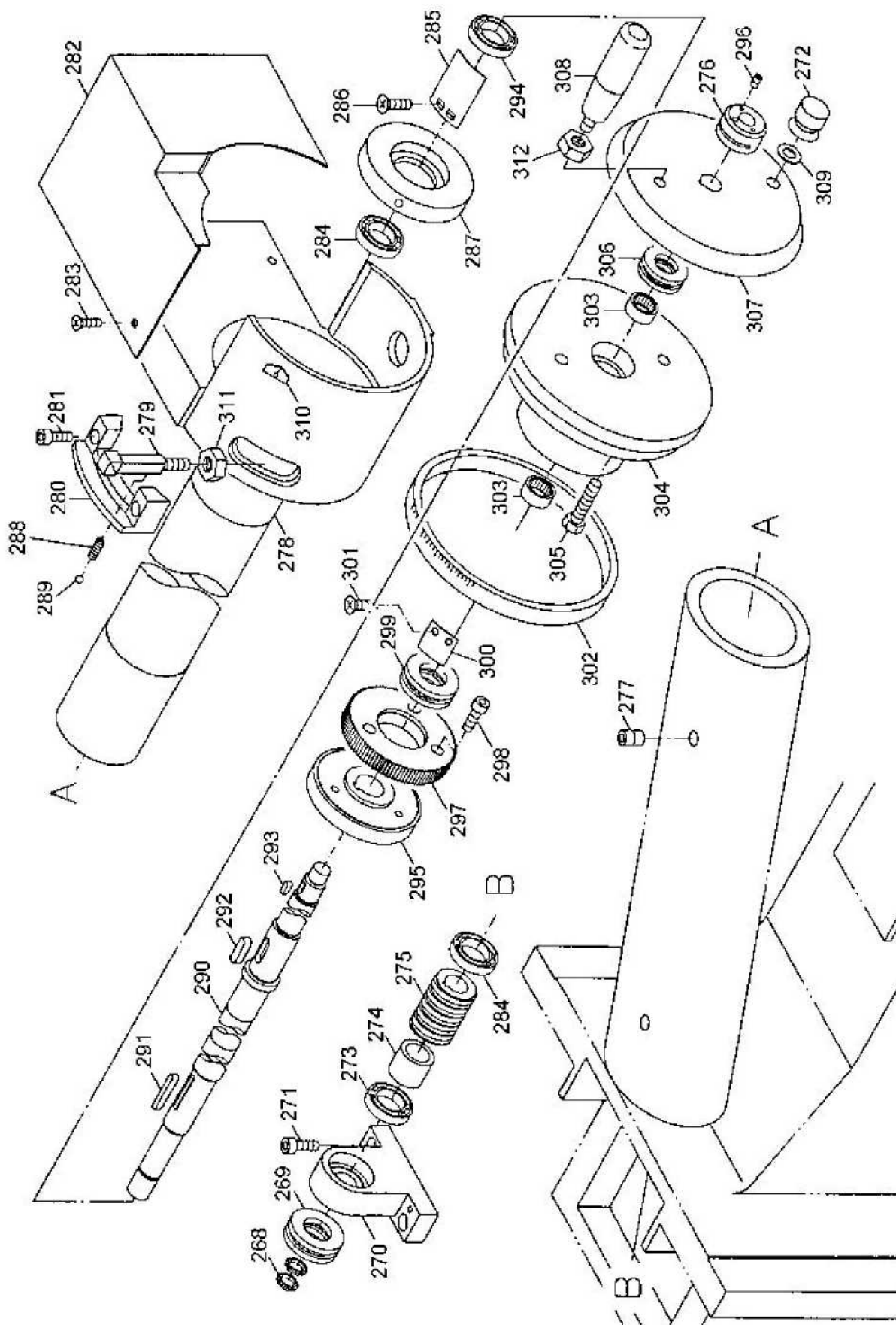
Монтажная схема: поперечная подача в сборе



Список деталей: поперечная подача в сборе

№	№ детали	обозначение	размер	кол-во
229.....	TS-1504031	Socket Head Cap Screw	M8x16	4
230.....	TS-155108	Lock Washer	Ø8	4
231.....	1020A-231	Motor	1/5HP6P	1
232.....	1020A-232	C-Ring	S10	1
233.....	K4052005	Gear		1
234.....	1020A-234	C-Ring	S18	2
235.....	TS-1503051	Hex Socket Cap Screw	M6x20	4
236.....	TS-1551041	Lock Washer	Ø6	4
237.....	K4054502	Nut		1
238.....	K4050508	Spring		1
239.....	K4054605	Adjusting Nut		1
240.....	K4050302	Bracket		1
241.....	TS-1551041	Lock Washer	Ø8	4
242.....	TS-1504061	Hex Socket Cap Screw	M8x30	4
243.....	TS-1523071	Set Screw	M6x25	2
244.....	TS-1540041	Nut	M6	2
245.....	225L	Belt		1
246.....	1020A-246	C-Ring	S27	1
247.....	K4050807	Timing Belt Pulley		1
248.....	K3054706	Cross Feed Lead Screw (1020A)		1
.....	K4054708	Cross Feed Lead Screw (1224A)		1
249.....	1020A-249	Key	5x5x14	1
250.....	1020A-250	Key	5x5x20	1
251.....	BB-51104	Thrust Bearing		2
252.....	K3050207	Saddle (1020A)		1
.....	K4050209	Saddle (1224A)		1
253.....	K3050908	Bearing Seat		1
254.....	K3051002	Bushing		1
255.....	6004	Ball Bearing		1
256.....	K4056607	Front Bearing Seat		1
257.....	K3051105	Lock Nut		2
258.....	K3054809	Dial		1
259.....	TS-1503061	Hex Socket Cap Screw	M6x25	4
260.....	K4062301	Hand Wheel		1
261.....	K2076205	Handle		1
262.....	K4062404	Knob		1
263.....	K3055707	Damper Rigging (1020A) (R)		1
.....	K4055709	Damper Rigging (1224A) (R)		1
264.....	K3055604	Damper Rigging (1020A) (L)		1
.....	K4055606	Damper Rigging (1224A) (L)		1
265.....	TS-2285102	Pan Head Screw	M5x10	6
266.....	TS-1522021	Set Screw	M5x8	1
267.....	K4057206	Washer		2

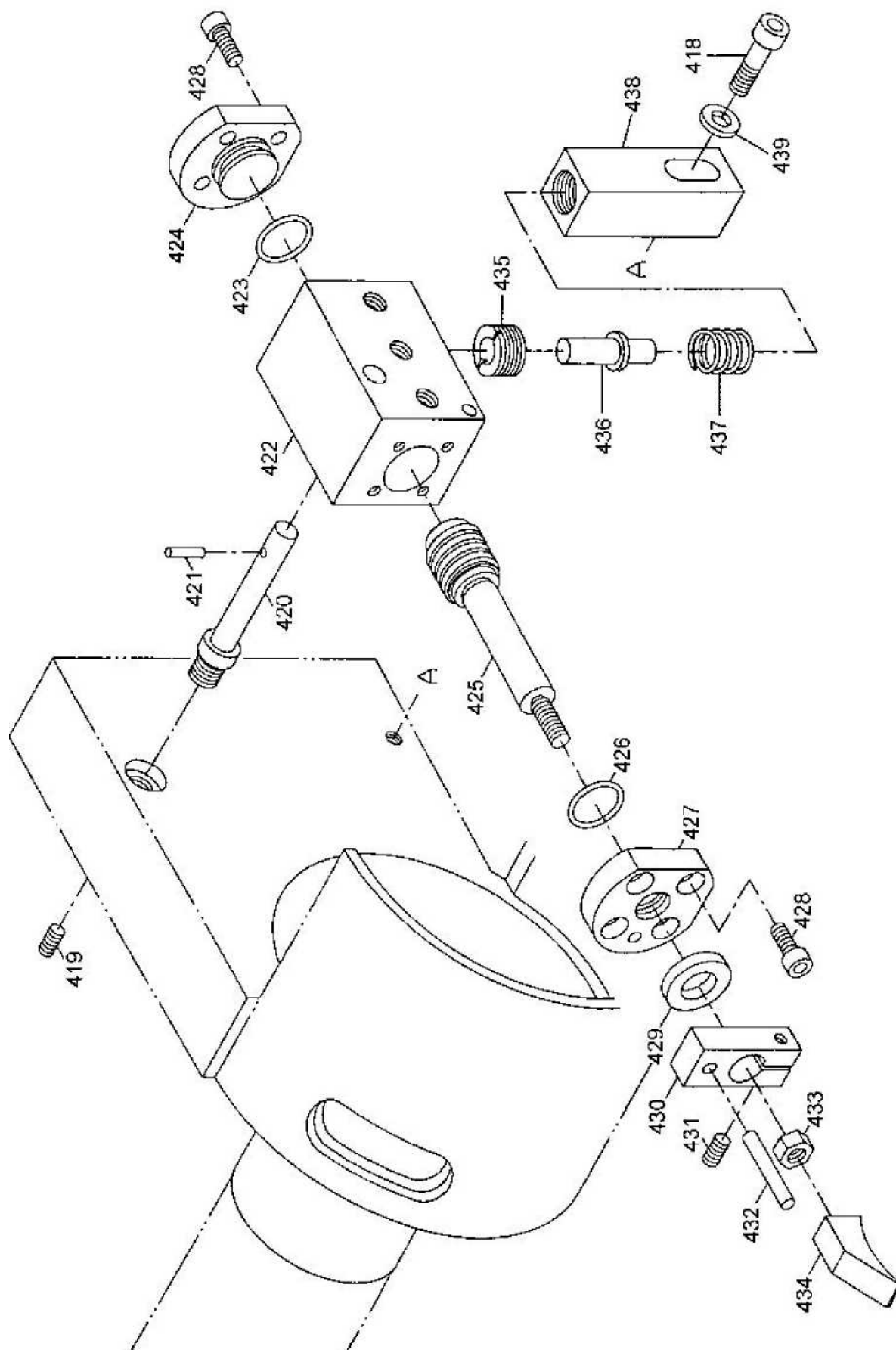
Монтажная схема: механизм автоматической подачи



Список деталей: механизм автоматической подачи

№	№ детали	обозначение	размер	кол-во
268.....	1020A-268	Lock Nut	AN02	2
269.....	BB-51102	Thrust Bearing		1
270.....	K3020505	Bearing Seat (1020A)		1
	K4020505	Bearing Seat (1224A)		1
271.....	TS-I503051	Hex Socket Cap Screw	M6x20	2
272.....	K4021704	Locking Nut		1
273.....	BB-6002	Bearing.....		1
274.....	K3020402	Bushing (1020A)		1
	K4020404	Bushing (1224A)		1
275.....	K4020301	Worm		1
276.....	K4021601	Locking Nut		1
277.....	TS-1504011	Set Screw	M8x10	2
278.....	K3020103	Tube Holder (1020A)		1
	K4020105	Tube Holder (1224A)		1
279.....	K4021106	Position Handle		1
280.....	K4021003	Position Fixed Block		1
281.....	TS-1503041	Hex Socket Cap Screw	M5x16	2
282.....	K4022602	Cover		1
283.....	TS-2285102	Pan Head Screw	M5x10	3
284.....	BB-6004	Ball Bearing.....		2
285.....	K4020909	Fixed Plate		1
286.....	1020A-286	Pan Head Screw	M5x8	2
287.....	K4020600	Positioning Ring		1
288.....	1020A-288	Spring	Ø8x5	1
289.....	1020A-289	Steel Ball	8mm	1
290.....	K3020200	Micro Shaft.....		1
	K4020208	Micro Shaft.....		1
291.....	1020A-291	Key	4x4x30	1
292.....	1020A-292	Key	6x6x20	1
293.....	1020A-293	Key	4x4x10L	1
294.....	BB-6004	Ball Bearing.....		1
295.....	K4020703	Fixed Ring.....		1
296.....	TS-1522031	Set Screw	M5x10	1
297.....	K4020806	Gear.....		1
298.....	TS-1502041	Hex Socket Cap Screw	M5x16	3
299.....	BB-51104.....	Thrust Bearing		1
300.....	K4021302	Positioning		1
301.....	1020A-301	Pan Head Screw	M5x8	2
302.....	K4023603	Dial Ring		1
303.....	TA1715	Needle Bearing		2
304.....	K4021209	Dial Ring Seat.....		1
305.....	1020A-305	Hex Cap Screw	M8x30	1
306.....	BB-51103.....	Thrust Bearing		1
307.....	K4021508	Handle Wheel		1
308.....	1020A-308	Handle.....	3/8"-16NC.....	1
309.....	TS-1550051	Washer	Ø8	1
310.....	K4090609	Dial		1
311.....	TS-1540061	Nut	M8	1
312.....	TS-1540071	Nut	M10	1

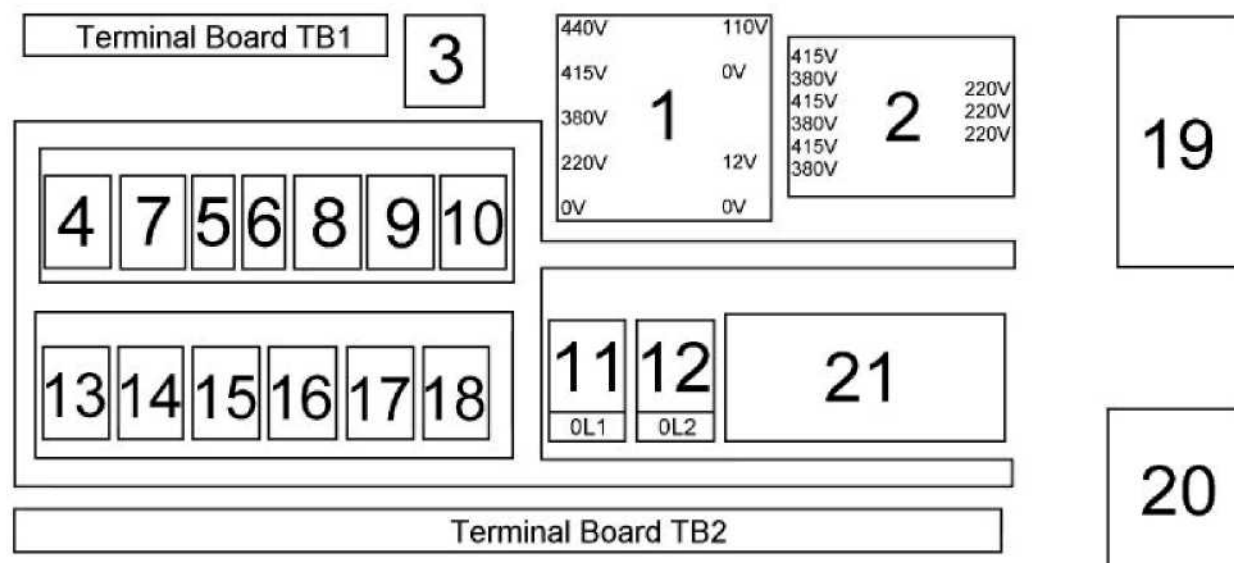
Монтажная схема: механизм автоматической подачи



Список деталей: механизм автоматической подачи

№	№ детали	обозначение	размер	кол-во
418.....	TS-1503061	Hex Socket Cap Screw	M6x25	1
419.....	1020A-419	Set Screw	M5x25	1
420.....	K4021900	Fixed Shaft.....		1
421.....	1020A-421	Spring Pin	Ø3x12	1
422.....	K4022004	Hydraulic Valve.....		1
423.....	1020A-423	O-Ring.....	P16	1
424.....	K4022107	Rear Cover.....		1
425.....	K4022200	Auto In-Feed Shaft		1
426.....	1020A-426	O-Ring.....	P16	1
427.....	K4022303	Front Cover		1
428.....	TS-1502021	Hex Socket Cap Screw	M5x10	8
429.....	1020A-429	O-Ring.....	PS12	1
430.....	K4022509	Holder of In-Feed Shaft.....		1
431.....	TS-1522021	Hex Socket Screw	M5x8	1
432.....	1020A-432	Spring Pin	Ø4x30	1
433.....	1020A-433	Nut	1/4"-20NC.....	1
434.....	K4022406	Tip-In Fork		1
435.....	K4023500	Fixed Screw.....		1
436.....	K4023407	Fixed Pin.....		1
437.....	K4023304	Spring		1
438.....	K4023201	Fixed Block.....		1
439.....	TS-0561011	Washer	M6	1

Электрическая панель



TB1

1 2 3 4 7 5 6 7 7 7 9 14 16 17 18 22 23 32 33 34 35 31 44 0 19 00 110 P1 P2

TB2

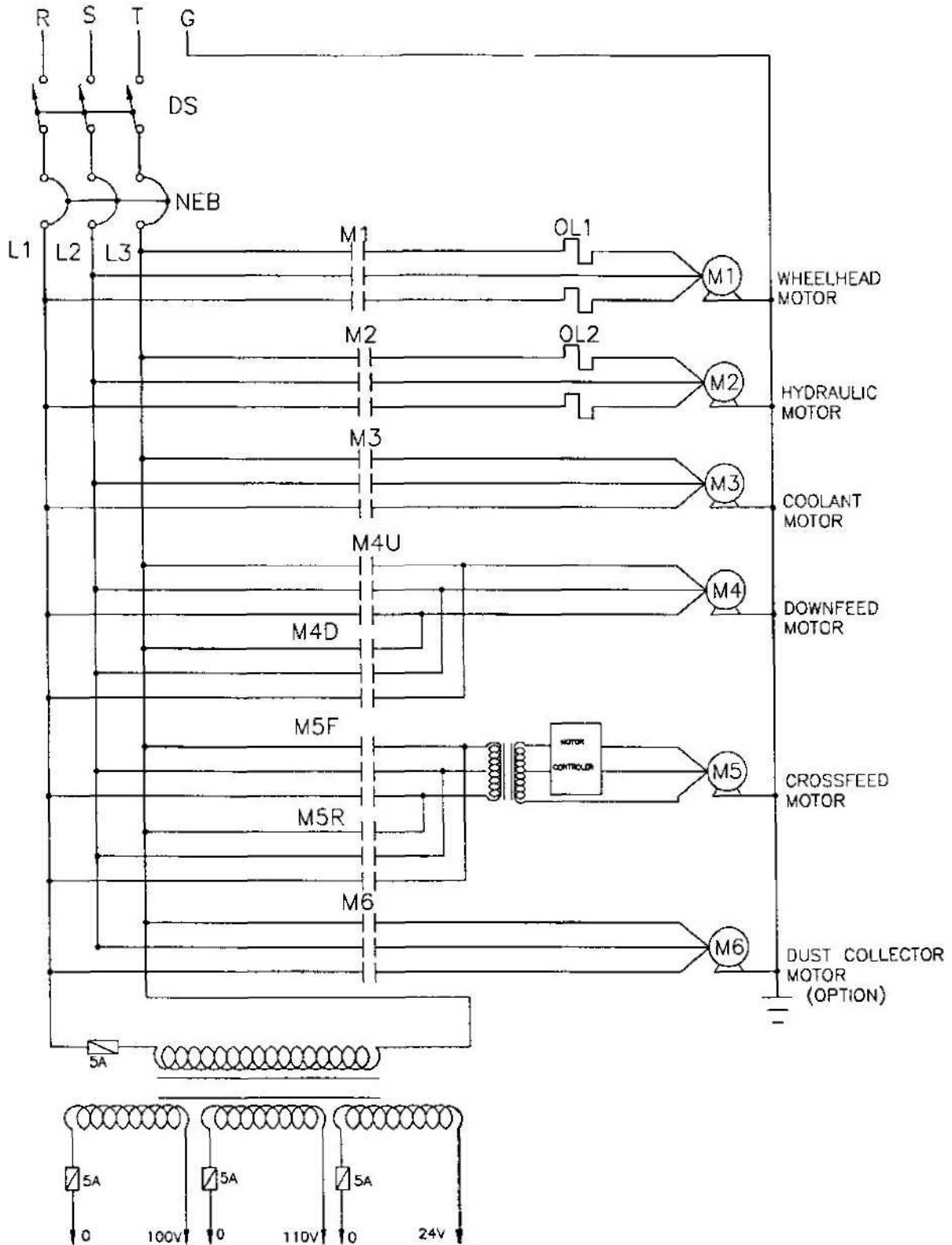
R S T G M1 M1 M1 G M3 M3 M3 G M4 M4 M4 G M5 M5 M5 G M6 M6 M6 G 9 10 3 29 3 30

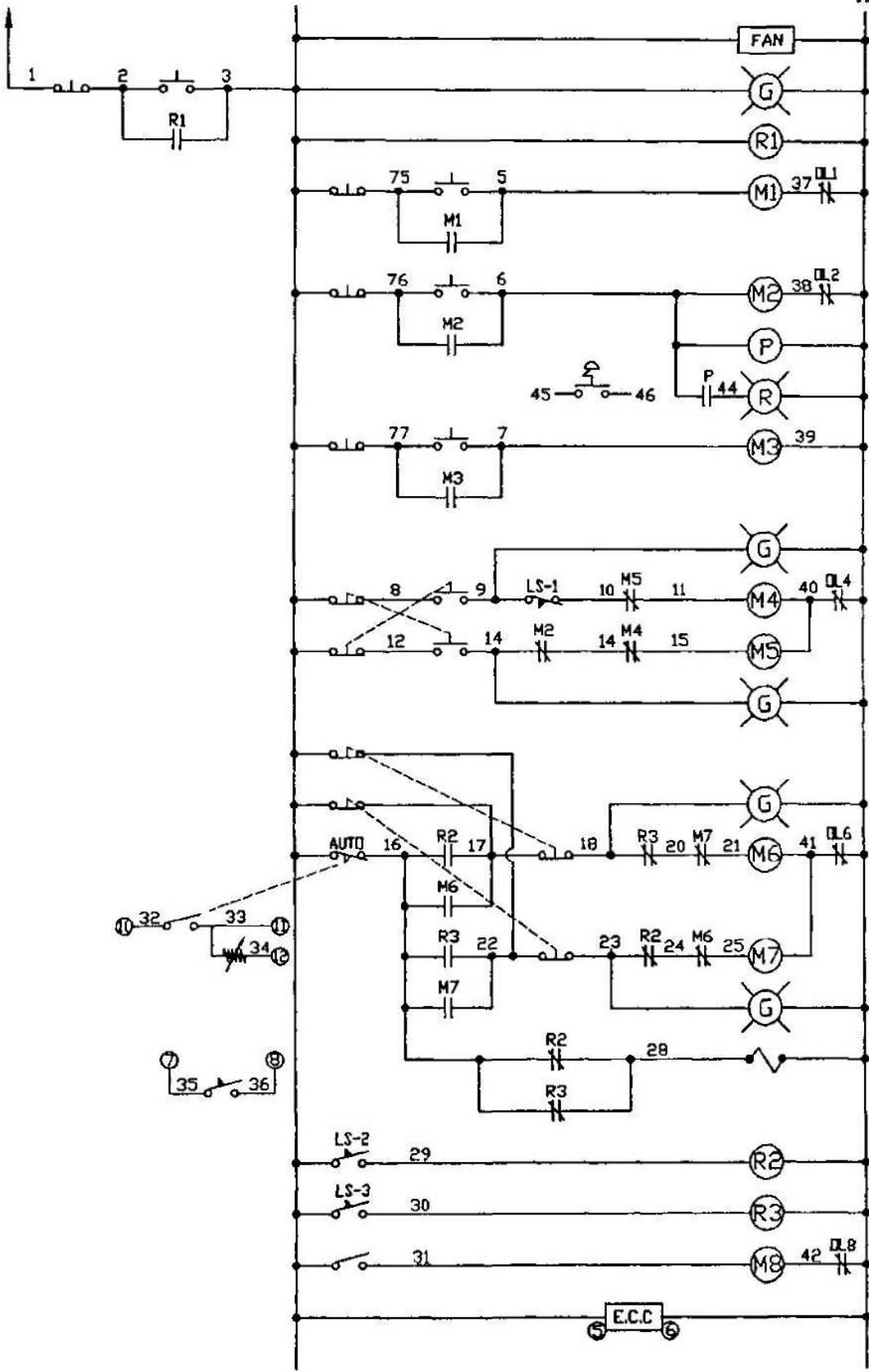
28 19 35 36 45 46 6 19 M2 M2 M2 G 6 19 31

Список деталей: электрическая панель

№	№ детали	обозначение	размер	кол-во
1	1020A-TR1	Transformer	400VA	1
2	1020A-TR2	Transformer	300VA	1
3	1020A-PU-NC	Controller Unit	110V AC	1
4	1020A-TK	Cabinet Switch	3x25A	1
5	1020A-F1	Protection Trip Switch	6A	1
6	1020A-F2	Protection Trip Switch	6A	1
7	1020A-F3	Protection Trip Switch	30A	1
8	1020A-CR1	Magnetic Connector	CN-11	1
9	1020A-CR2	Relay	110V AC	1
10	1020A-CR3	Relay	110V AC	1
11	1020A-MS1	Magnetic Connector Module	HKO	1
12	1020A-MS2	Magnetic Connector Module	HKO	1
13	1020A-MS3	Magnetic Connector	CN-11	1
14	1020A-MS4U	Magnetic Connector	CN-11	1
15	1020A-MS4D	Magnetic Connector	CN-11	1
16	1020A-MS5F	Magnetic Connector	CN-11	1
17	1020A-MS5R	Magnetic Connector	CN-11	1
18	1020A-MS6	Magnetic Connector	CN-11	1
19	1020A-CF	Cabinet Fan	110V AC	1
20	1020A-S	Socket	110V AC	1
21	1020A-MC	Motor Controller	LKC-01	1

Схема подключения





Электромагнитный патрон

